

jMarkov User's Guide

Germán Riaño and Julio Góez
Universidad de Los Andes

Contents

1	Introduction	2
2	Building Large - Scale Markov Chains	2
2.1	Space state building algorithm	3
2.2	Measures of Performance	3
3	Framework Design	4
3.1	Java and Object Oriented Programming	4
3.2	Build Package	4
3.3	Basic Package	5
3.4	The Solvers Package	6
4	Examples	6
4.1	Example: An M/M/2/N with different servers	6
4.1.1	The model	6
4.1.2	Class QueueMM2dNState	7
4.1.3	Class QueueMM2dN	7
4.1.4	Code	7
4.2	Multiple Server Queue	13
4.2.1	The model	13
4.2.2	Code	14
4.3	Drive Thru	21
4.3.1	Code	21
4.3.2	Results	32
5	Modeling Quasi-Birth and Death Processes	33
5.1	Quasi-Birth and Death Processes	34
5.2	Measures of performance for QBDs	35
5.3	Modeling QBD with jQBD	35
5.4	An Example	35
6	Advanced Features	37
6.1	Using the Solvers	37
6.2	Using the Transitions scheme	37
6.3	Computing MOPs on the fly to save memory	37
6.4	extending jMarkov	37
7	Further Development	37
	References	37

1 Introduction

The jMarkov project has been in development since 2002 by the research grup COPA at Universidad de los Andes.

The main purpose of jMarkov is facilitating the development and application of large scale Markovian models, so that they can be used by engineers with basic programming and stochastic skills.

The project is composed by four modules

- jMarkov
- jQBD
- jPhase
- jMDP

In this manual we explain jMarkov and jQBD, which are used to build Markov Chains and Quasi-Birth and death processes (QBD). The other two modules have their own manulas.

With jPhase a user can easily manipulate Phase-Type distributions (PH). These distributions are quite flexible and powerful, and a model that is limited to PH in practical terms can model many situations. For details see [8] and [7]

jMDP is used to build and solve Markov Decision Process (MDP).MDP, or, as is often called, Probabilistic Dynamic Programming allows the analyst to design optimal control rules for a Markov Chain.jMDP works for discrete and continous time MDPs.For details see [11] and [10]

For up-to date information, downloads and examples check COPA's web page at copa.uniandes.edu.co.

2 Building Large - Scale Markov Chains

In this section, we will describe the basic algorithms used by jMarkov to build Markov Chains. Although we limit our description to Continuous Time Markov Chain (CTMC), jMarkov can handle also Discrete Time Markov Chains (DTMC).

Let $\{X(t), t \geq 0\}$ be a CTMC, with finite space state \mathcal{S} and generator matrix \mathbf{Q} , with components

$$q_{ij} = \lim_{t \downarrow 0} P \{X(t) = j | X(0) = i\} \quad i, j \in \mathcal{S}.$$

It is well known that this generator matrix, along with the initial conditions, completely determines the transient and stationary behavior of the Markov Chain (see, e.g, [4]). The diagonal components q_{ii} are non-positive and represent the exponential holding rate for state i , whereas the off diagonal elements q_{ij} represent the transition rate from state i to state j .

The transient behavior of the system is described by the matrix $\mathbf{P}(t)$ with components

$$p_{ij}(t) = P \{X(t + s) = j | X(s) = i\} \quad i, j \in \mathcal{S}.$$

This matrix can be computed as

$$\mathbf{P}(t) = e^{\mathbf{Q}t} \quad t > 0.$$

For an irreducible chain, the stationary distribution $\boldsymbol{\pi} = [\pi_1, \pi_2, \dots,]$ is determined as the solution to the following system of equations

$$\begin{aligned} \boldsymbol{\pi} \mathbf{Q} &= \mathbf{0} \\ \boldsymbol{\pi} \mathbf{1} &= 1, \end{aligned}$$

where $\mathbf{1}$ is a column vector of ones.

2.1 Space state building algorithm

Transitions in a CTMC are triggered by the occurrence of events such as arrivals and departures. The matrix \mathbf{Q} can be decomposed as $\mathbf{Q} = \sum_{e \in \mathcal{E}} \mathbf{Q}^{(e)}$, where $\mathbf{Q}^{(e)}$ contains the transition rates associated with event e , and \mathcal{E} is the set of all possible events that may occur. In large systems, it is not easy to know in advance how many states there are in the model. However, it is possible to determine what events occur in every state, and the destination states produced by each transition when it occurs. jMarkov works based on this observation, using an algorithm similar to the algorithm buildRS presented by Ciardo [1]; see Figure 1. The algorithm builds the space state and the transition rate by a deep exploration of the graph. It starts with an initial state i_0 and searches for all other states. At every instant, it keeps a set of “unchecked” states \mathcal{U} and the set of states \mathcal{S} that have been already checked. For every unchecked state the algorithm finds the possible destinations and, if they had not been previously found, they are added to the \mathcal{U} set. To do this, it first calls the function `active` that determines if an event can occur. If it does, then the possible destination states are found by calling the function `destds`. The transition rate is determined by calling the function `rate`. From this algorithm, we can see that a system is fully described once the states and events are defined and the functions `active`, `destds`, and `rate` have been specified. As we will see, modeling a problem with jMarkov entails coding these three functions.

```

 $\mathcal{S} = \emptyset, \mathcal{U} = \{i_0\}, \mathcal{E}$  given.
while  $\mathcal{U} \neq \phi$  do
  for all  $e \in \mathcal{E}$  do
    if active( $i, e$ ) then
       $\mathcal{D} := \text{destds}(i, e)$ 
      for all  $j \in \mathcal{D}$  do
        if  $j \notin \mathcal{S} \cup \mathcal{U}$  then
           $\mathcal{U} := \mathcal{U} \cup \{j\}$ 
        end if
         $R_{ij} := R_{ij} + \text{rate}(i, j, e)$ 
      end for
    end if
  end for
end while

```

Figure 1: BuildRS algorithm

2.2 Measures of Performance

When studying Markovian systems, the analyst is usually interested in the transient and steady state behavior of measures of performance (MOPs). This is accomplished by attaching rewards to the model. Let \mathbf{r} be a column vector such that $r(i)$ represents the expected rate at which the system receives rewards whenever it is in state $i \in \mathcal{S}$. Here the term *reward* is used for any measure of performance that might be of interest, not necessarily monetary. For example, in queueing systems $r(i)$ might represent the number of entities in the system, or the number of busy servers, when the state is i . The expected reward rate at time t is computed according to

$$E(r(X(t))) = \mathbf{aP}(t)\mathbf{r},$$

where the row vector \mathbf{a} has the initial conditions of the process (i.e., $a_i = P\{X(0) = i\}, i \in \mathcal{S}$). Similarly, for an irreducible CTMC, the long run rate at which the system receives rewards is calculated as

$$\lim_{t \rightarrow \infty} \frac{1}{t} \int_0^t E(r(X(s))) ds = \boldsymbol{\pi}\mathbf{r}.$$



Figure 2: Class classification

As we will see, jMarkov provides mechanisms to define this type of rewards and can compute both, transient and steady state MOPs. There are other type of rewards, like expected time in the system, which can be easily computed using Little law.

3 Framework Design

In this section, we give a brief description of jMarkov’s framework architecture. We start by describing object-oriented programming and then describe the three packages that compose jMarkov.

3.1 Java and Object Oriented Programming

Java is a programming language created by Sun Microsystems [12]. The main characteristics that Sun intended to have in Java are: Object-Oriented, robust, secure, architecture neutral, portable, high performance, interpreted, threaded and dynamic.

Object-Oriented Programming (OOP) is not a new idea. However, it did not have an increased development until recently. OOP is based on four key principles: abstraction, encapsulation, inheritance and polymorphism. An excellent explanation of OOP and the Java programming language can be found in [13].

The abstraction capability is the one that interests us most. Java allows us to define abstract types like `MarkovProcess`, `State`, etc. We can also define *abstract* functions like `active`, and `dests`. We can program the algorithm in terms of these abstract objects and functions and the program works independently of the particular implementation of the aforementioned elements. All the user has to do is to *implement* the abstract functions. What is particularly nice is that if a function is declared as abstract, then the compiler itself will force the user to implement it before she attempts to run the model.

3.2 Build Package

The build package is the main one in jMarkov since it contains the classes that take care of building the state space and transition matrices. The main classes are `MarkovProcess`, `SimpleMarkovProcess`, and `GeomProcess` (see Figure 3). Whereas the first two allow to model general Markov processes, `GeomProcess` is used for Quasi-Birth and Death Processes (QBD) and its description is given in Section 5.3 below.

The class `SimpleMarkovProcess` represents a Markov chain process, and contains three abstract methods that implement the three aforementioned functions in the algorithm BuildRS: `active`, `dests`, and `rate`. In order to model a problem the user has to extend this class and implement the three functions. An example is given in Section 5.4. The class `MarkovProcess` is the main class in the module, and provides a more general mechanism to describe the dynamics of the system. It also contains tools to communicate with the solvers to compute steady state and transient solutions, and print them in a diverse array of ways. For details, see [9].

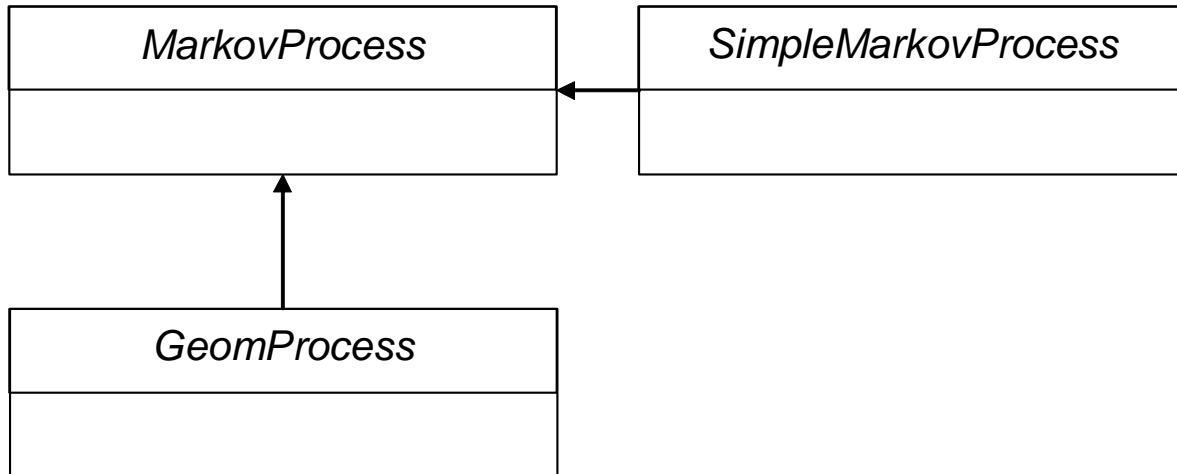


Figure 3: Class diagram build module

3.3 Basic Package

This package contains the building blocks needed to describe a Markov Chain. It contains classes such as `State`, and `Event`, which allow the user to code a description of the states and events, respectively (see Figure 4). The user has freedom to choose any particular coding that best describes the states in her model, like any combination of integers, strings, etc. However, she must establish a complete ordering among the elements since, for efficiency, jMarkov works with ordered sets. For simplicity, however, a built-in class is provided, called `PropertiesState`, that describes the state with an array of integers, something which is quite appropriate for many applications. Similarly, there is an analogous class called `PropertiesEvent`. The package also contains the classes `States` and `Events` that are used to describe collections of states and events. These are fairly general classes, since all that is required from the user is to provide a mechanism to “walk through” the elements of the set, taking advantage of Java iterator mechanism. This implies that, for large sets, there is no need to generate (and store) all the elements in the set. For convenience, the package provides implementations of these set classes based on sorted sets classes available in Java.

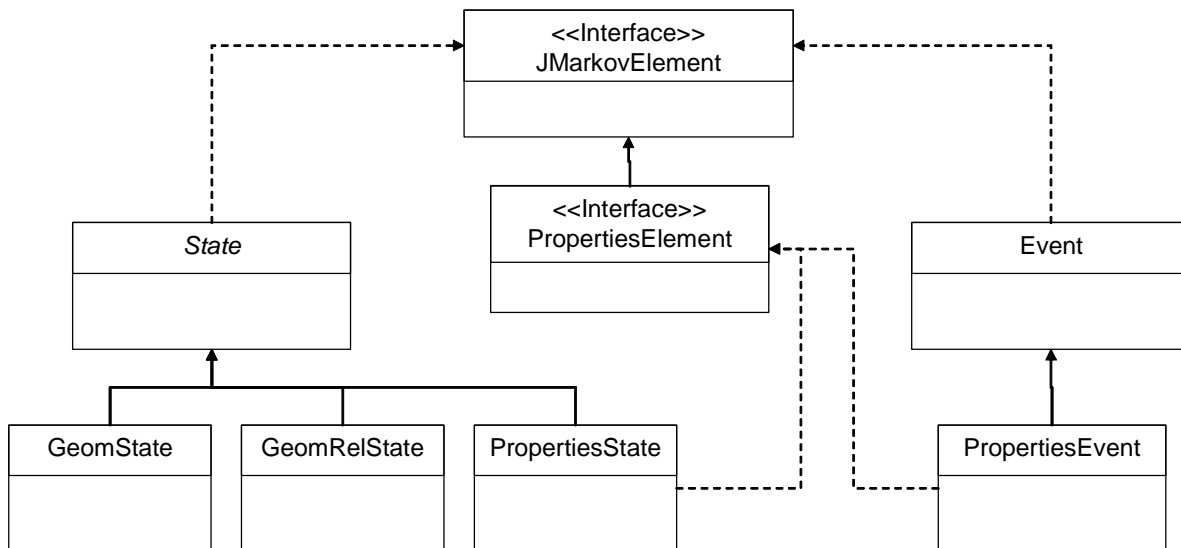


Figure 4: Class diagram for the basic package

3.4 The Solvers Package

As stated above, jMarkov separates modeling from solving. Various solvers are provided to find steady-state and transient probabilities (see Figure 5). If the user does not specify the solver to use, one is provided by default. However, the architecture is flexible enough to allow an interested user to choose a different solver, or, if she desires, to implement her own. The basic class is called `Solver`, that has two sub-classes called `SteadyStateSolver`, `TransientSolver`, and `GeomSolver` (see Figure 5). As the names indicate, the first two provide solvers for steady state and transient probabilities, whereas the latter is used for QBDs, as explained in section 5. The implementations provided rely on two popular Java packages to handle matrix operations JAMA [3] and MTJ [2], for dense and sparse matrices, respectively.

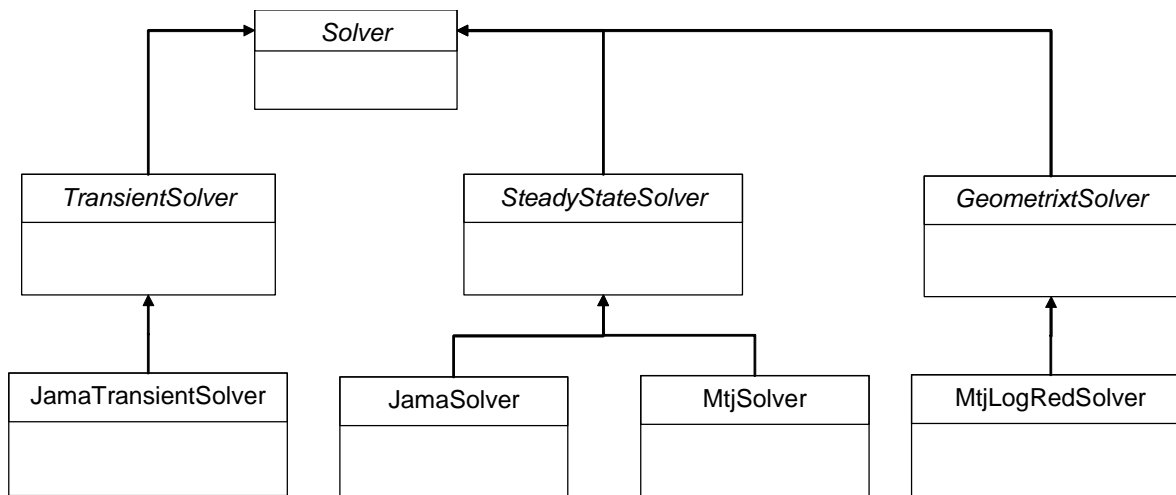


Figure 5: Class diagram of the solvers package

4 Examples

4.1 Example: An M/M/2/N with different servers

Assume that a system has Poisson arrivals with rate λ . There are two exponential servers with rates μ_1 and μ_2 respectively. There is a maximum of N customers in the system. An arriving customer that finds the system empty will go to server 1 with probability α . Otherwise he will pick the first available server, or join a single FCFS queue. If there are N in the system the customer goes away.

4.1.1 The model

We model this system with the triple $\mathbf{X}(t) = (X(t), Y(t), Z(t))$, where $X(t)$ and $Y(t)$ represents the status of the server (1 if busy 0 otherwise) and $Z(t)$ represents the number in queue, which is a number from 0 to $N - 2$. There are $2 \times 2 \times N - 2$ potential states, however not all combinations of X, Y and Z are possible. For example the state $(0, 1, 2)$ is not acceptable since we assume that a server will not be idle if there are people in the queue. The set of states will be of the form

$$\mathcal{S} = \{(0, 0, 0), (0, 1, 0), (1, 0, 0)\} \cup \{(1, 1, k) : k = 0, 1, \dots, N - 2\}$$

The transition matrix will have the form

	000	010	100	110	111	112	...	1,1,N-3	1,1,N-2
000		$\lambda\alpha$	$\lambda(1-\alpha)$						
010	μ_2			λ					
100	μ_1			λ					
110		μ_1	μ_2		λ				
111						λ			
112					$\mu_1 + \mu_2$				
:									
1,1,N-3									λ
1,1,N-2								$\mu_1 + \mu_2$	

4.1.2 Class QueueMM2dNState

Our characterization of each state fits nicely as a particular case of the PropertiesState class with three properties. Since we decided to work with numbered events rather than extending the Event class, we should implement the SimpleMarkovClass. In the following code you will see how we first model the State with the class QueueMM2dNState and then model the system implementing the class QueueMM2dN. These two class are placed in the same file QueueMM2dN, but they could be placed in separate files.

To model the State we begin by creating a constructor that assigns x, y, and z to the properties. We provide methods to access the three properties and a method to check whether the system is empty. We also implement the method label to override the one in the class PropertiesState.

4.1.3 Class QueueMM2dN

There are two basic events that can occur: arrivals and service completions. We have to distinguish, however two types of service completions depending on whether the server that finishes is 1 or 2. Also, when the system is empty we have to distinguish between arrivals that go to server 1 and those that go to server 2. So in total we have five events which we number as follows

4.1.4 Code

File QueueMM2dN.java

```

package examples.jmarkov;

import java.io.BufferedReader;
import java.io.IOException;
import java.io.InputStreamReader;

import jmarkov.MarkovProcess;
import jmarkov.SimpleMarkovProcess;
import jmarkov.basic.Event;
import jmarkov.basic.EventsSet;
import jmarkov.basic.PropertiesState;
import jmarkov.basic.States;
import jmarkov.basic.StatesSet;

// Lets start defining the State
/**
 * This is a particular case of propertiesState, with three
 * properties, namely the server 1 and 2 status, plus the queue level.
 * @author Germán Riaño. Universidad de los Andes.

```

```

*/
class MM2dNState extends PropertiesState {

    /**
     * We identify each State with the triplet (x,y,z), where x and y
     * are the status of the servers and z the number in queue (0,1,
     * ..,N-2).
     */

    MM2dNState(int x, int y, int z) {
        super(3); // Creates a PropertiesState with 3 properties.
        this.prop[0] = x;
        this.prop[1] = y;
        this.prop[2] = z;
    }

    @Override
    public void computeMOPs(MarkovProcess mp) {
        setMOP(mp, "Status Server 1", getStatus1());
        setMOP(mp, "Status Server 2", getStatus2());
        setMOP(mp, "Queue Length", getQSize());
        setMOP(mp, "Number in System", getStatus1() + getStatus2() + getQSize());
    }

    /**
     * Returns the status of the first Server
     * @return Status of the first Server
     */
    public int getStatus1() {
        return prop[0];
    }

    /**
     * Returns the status of the second Server
     * @return Status of the second Server
     */
    public int getStatus2() {
        return prop[1];
    }

    /**
     * Returns the size of the queue
     * @return Status of the size of the queue
     */
    public int getQSize() {
        return prop[2];
    }

    /**
     * isEmpty detects is the system is empty. It comes handy when
     * checking whether the events ARRIVAL1 and ARRIVAL2 are active.
     */
    boolean isEmpty() {
        return (getStatus1() + getStatus2() + getQSize() == 0);
    }
}

```



```

/**
 * @see jmarkov.basic.State#isConsistent()
 */
@Override
public boolean isConsistent() {
    // TODO Complete
    return true;
}

/**
 * We implement label so that States are labeled 1, 1A, 1B, 2, 3,
 * ..., N-2
 */
@Override
public String label() {
    String stg = "0";
    if ((getStatus1() == 1) && (getStatus2() == 0))
        stg = "1A";
    if ((getStatus2() == 1) && (getStatus1() == 0))
        stg = "1B";
    if ((getStatus2() == 1) && (getStatus1() == 1))
        stg = "" + (2 + getQSize());
    return stg;
}

/**
 * This method gives a verbal description of the State.
 */
@Override
public String description() {
    String stg = "";
    stg += "Server 1 is " + ((getStatus1() == 1) ? "busy" : "idle");
    stg += ". Server 2 is " + ((getStatus2() == 1) ? "busy" : "idle");
    stg += ". There are " + getQSize() + " customers waiting in queue.";
    return stg;
}
}

class QMM2dNEvent extends Event {
    /** Event types */
    public enum Type {
        /** An arrival */
        ARRIVAL,
        /** Arrival to server 1 (only for empty system) */
        ARRIVAL1,
        /** Arrival to server 2 (only for empty system) */
        ARRIVAL2,
        /** departure from server 1 */
        DEPARTURE1,
        /** departure from server 2 */
        DEPARTURE2;
    }

    private Type type;

    /**

```

```

    * @param type
    */
    public QMM2dNEvent(Type type) {
        super();
        this.type = type;
    }

    /**
     * @return Returns the type.
     */
    public final Type getType() {
        return type;
    }

    /**
     * @return the set of all events.
     */
    public static EventsSet<QMM2dNEvent> getAllEvents() {
        EventsSet<QMM2dNEvent> evSet = new EventsSet<QMM2dNEvent>();
        for (Type type : Type.values())
            evSet.add(new QMM2dNEvent(type));
        return evSet;
    }
}

// Now we define main the class

/**
 * This class represents is a system with 2 different exponential
 * servers with rates mu1 and mu2, respectively, and arrival rate
 * lambda.
 * @author Germán Riaño. Universidad de los Andes.
 */

public class QueueMM2dN extends SimpleMarkovProcess<MM2dNState, QMM2dNEvent> {
    // Eventos
    final int ARRIVAL = 0;
    final int ARRIVAL1 = 1; // only for empty system
    final int ARRIVAL2 = 2; // only for empty system
    final int DEPARTURE1 = 3;
    final int DEPARTURE2 = 4;
    private double lambda;
    private double mu1, mu2, alpha;
    private int N;

    /**
     * Constructs a M/M/2d queue with arrival rate lambda and service
     * rates mu1 and mu 2.
     * @param lambda Arrival rate
     * @param mu1 Server 1 rate
     * @param mu2 Server 2 rate
     * @param alpha Probability of an arriving customer choosing
     * server 1 (if both idle)
     * @param N Max number in the system
     */
    public QueueMM2dN(double lambda, double mu1, double mu2, double alpha, int N) {
        super((new MM2dNState(0, 0, 0)), //

```

```

        QMM2dNEvent.getAllEvents() ); // num Events
    this.lambda = lambda;
    this.mu1 = mu1;
    this.mu2 = mu2;
    this.alpha = alpha;
    this.N = N;
}

/**
 * Returns an QueueMM2N object with arrival rate 4.0, service rate
 * of the first server 2.0, service rate of the second server 3.0,
 * probability of choose the first server 0.3 and capacity of 8
 * customers in the system. Used by GUI
 */
public QueueMM2dN() {
    this(1.0, 2.0, 3.0, 0.3, 8);
}

/**
 * Determines the active events
 */
public @Override boolean active(MM2dNState i, QMM2dNEvent e) {
    boolean result = false;
    switch (e.getType()) {
        case ARRIVAL:
            result = ((i.getQSize() < N - 2) && (!i.isEmpty()));
            break;
        case ARRIVAL1:
            result = i.isEmpty();
            break;
        case ARRIVAL2:
            result = i.isEmpty();
            break;

        case DEPARTURE1:
            result = (i.getStatus1() > 0);
            break;
        case DEPARTURE2:
            result = (i.getStatus2() > 0);
            break;
    }
    return result;
}

public @Override States<MM2dNState> dests(MM2dNState i, QMM2dNEvent e) {
    int newx = i.getStatus1();
    int newy = i.getStatus2();
    int newz = i.getQSize();

    switch (e.getType()) {
        case ARRIVAL:
            if (i.getStatus1() == 0) {
                newx = 1;
            } // serv 1 desocupado
            else if (i.getStatus2() == 0) {
                newy = 1;
            } // serv 2 desocupado
    }
}

```

```

        else { // ambos ocupados
            newz = i.getQSize() + 1;
        }
        break;
    case ARRIVAL1:
        newx = 1;
        break;
    case ARRIVAL2:
        newy = 1;
        break;
    case DEPARTURE1:
        if (i.getQSize() != 0) {
            newx = 1;
            newz = i.getQSize() - 1;
        } else {
            newx = 0;
        }
        break;
    case DEPARTURE2:
        if (i.getQSize() != 0) {
            newy = 1;
            newz = i.getQSize() - 1;
        } else {
            newy = 0;
        }
        break;
    }
    return new StatesSet<MM2dNState>( new MM2dNState(newx, newy, newz));
}

public @Override double rate(MM2dNState i, MM2dNState j, QMM2dNEvent e) {
    double res = 0;
    switch (e.getType()) {
    case ARRIVAL:
        res = lambda;
        break;
    case ARRIVAL1:
        res = lambda * alpha;
        break;
    case ARRIVAL2:
        res = lambda * (1 - alpha);
        break;
    case DEPARTURE1:
        res = mu1;
        break;
    case DEPARTURE2:
        res = mu2;
        break;
    }
    return res;
}

@Override
public String description() {
    return "M/M/2/N SYSTEM\nQueueing System with two servers, with rates "
        + mu1 + " and " + mu2 + ".\nArrivals are Poisson with rate "
        + lambda + ",\nand the maximum number in the system is " + N;
}

```

```

    }

    /**
     * This method just tests the class.
     * @param a Not used
     */
    public static void main(String[] a) {
        String stg;
        BufferedReader rdr = new BufferedReader(
            new InputStreamReader(System.in));
        try {
            System.out.println("Escriba lambda ");
            stg = rdr.readLine();
            double lda = Double.parseDouble(stg);
            System.out.println("Escriba mu1 ");
            stg = rdr.readLine();
            double mu1 = Double.parseDouble(stg);
            System.out.println("Escriba mu2 ");
            stg = rdr.readLine();
            double mu2 = Double.parseDouble(stg);
            System.out.println("Escriba alpha ");
            stg = rdr.readLine();
            double alpha = Double.parseDouble(stg);
            System.out.println("Max en el sistema ");
            stg = rdr.readLine();
            int N = Integer.parseInt(stg);
            QueueMM2dN theQueue = new QueueMM2dN(lda, mu1, mu2, alpha, N);
            theQueue.showGUI();
            theQueue.printAll();
        } catch (IOException e) {
        }
    }
} // class end

```

4.2 Multiple Server Queue

In this example we generalize what we did in the previous example. Assume that a system has exponential arrivals with exponential arrivals. There are K distinct servers with service rates $\mu_1, \mu_2, \dots, \mu_K$. A customer that finds all servers busy joins a single FCFS queue, with capacity $N - K$ (so there will be at most N customers in the system). A customer that finds all servers idle will choose among the idle servers according to relative intensities α_k , i.e., he will choose server k with probability

$$\beta_k = \frac{\alpha_k}{\sum_{\ell \in \mathcal{I}} \alpha_\ell}, \quad k \in \mathcal{I}$$

where \mathcal{I} is the set of available servers.

4.2.1 The model

For this model we characterize each state by $X(t) = (S(t), Q(t))$, where $S(t) = (S_1(t), \dots, S_K(t))$, where $S_k(t) = 1$ if k -th server is busy and 0 otherwise. The events that can occur are arrivals and departures. However we have to distinguish two type of arrivals. If there is no idle server the

arriving customer joins the queue, and we will call this a non-directed arrival. Otherwise we call it a directed arrival. We also make part of the event description the server where the arrival is directed. In order to represent this event we need a more sophisticated structure, so instead of just numbering the events we rather extend the class `Event`, creating an object with two integer fields (components): the type and the server. Then it is very easy to implement the functions `active`, `dest` and `rate` just by querying the values of the type and server associated with the state.

4.2.2 Code

File QueueMMKdN.java

```

package examples.jmarkov;

import java.io.BufferedReader;
import java.io.IOException;
import java.io.InputStreamReader;

import jmarkov.MarkovProcess;
import jmarkov.SimpleMarkovProcess;
import jmarkov.basic.Event;
import jmarkov.basic.EventsSet;
import jmarkov.basic.PropertiesState;
import jmarkov.basic.States;
import jmarkov.basic.StatesSet;

// Lets start defining the State

/**
 * This is a particular case of propertiesState, with K + 1
 * properties, namely the server 1, 2, ..., K status, plus the queue level.
 *
 * @author Germán Riaño. Universidad de los Andes.
 */
class QueueMMKdNState extends PropertiesState {

    private int K; // number of servers
    private double sumProb = -1; // sum of relative probabilities
    private double[] alpha; //relative frequency of servers
    private double[] beta; //probabilities for this state
    /**
     * Constructs a state for an empty system with K servers, and
     * choosing intensities alpha.
     * @param K Number of servers.
     */
    QueueMMKdNState(int K, double[] alpha) {
        this(new int[K], 0, alpha);
    }

    /**
     * We identify each State with a vector that counts the
     * status for the k servers and
     * the number in queue (0,1, ..,N-K).
     */
    QueueMMKdNState(int[] status, int Qsize, double[] alpha) {
        super(alpha.length + 1);
        this.K = alpha.length;
    }
}

```

```

    this.alpha = alpha;
    this.beta = new double[K];
    int sum = 0; // adds the number of busy server = people in service
    for (int i = 0; i < K; i++) {
        prop[i] = status[i];
        sum += status[i];
    }
    prop[K] = Qsize;
}

/**
 * Computes the MOPs
 * @see jmarkov.basic.State#computeMOPs(MarkovProcess)
 */
@Override
public void computeMOPs(MarkovProcess mp) {
    double sum = 0.0;
    for (int i = 0; i < K; i++) {
        sum += getStatus(i);
        setMOP(mp, "Server Status " + (i + 1), getStatus(i));
    }
    setMOP(mp, "Queue Length", getQSize());
    setMOP(mp, "Number in System", sum + getQSize());
}

/**
 * Returns the status of the kth Server
 * @param k server index
 * @return Status of the kth Server
 */
public int getStatus(int k) {
    return prop[k];
}

/**
 * Returns the size of the queue
 * @return Status of the size of the queue
 */
public int getQSize() {
    return prop[K];
}

/**
 * Determines if all servers are busy
 * @return True, if all servers are busy. False, otherwise
 */
public boolean allBusy() {
    boolean result = true;
    for (int k = 0; result && (k < K); k++)
        result = result && (getStatus(k) == 1);
    return result;
}

/**
 * Determines if all servers are idle
 * @return True, if all servers are idle. False, otherwise
 */
public boolean allIdle() {
    boolean result = true;

```

```

    for (int k = 0; result && (k < K); k++)
        result = result && (getStatus(k) == 0);
    return result;
}
/**
 * @see jmarkov.basic.State#isConsistent()
 */
@Override
public boolean isConsistent() {
    // TODO Complete
    return true;
}
/*
 * determines the sum of all intensities for idle servers. The result
 * is kept in sumProb for future use.
 */
private double sum() {
    if (sumProb != -1)
        return sumProb;
    double res = 0;
    for (int k = 0; k < K; k++) {
        res += (1 - getStatus(k)) * alpha[k];
    }
    return (sumProb = res);
}
/**
 * Detemines the probability of an idle server being choosen
 * among idle servers. A customer that finds more then one server
 * idle chooses according to relative intensities
 * <tex txt="\alpha_1, \alpha_2, \ldots, \alpha_K">
 * alpha1, alpha2, etc</tex>. The probability of choosing idle
 * server k will be given by
 * <tex txt="\beta_k = \frac{\alpha_k}{\sum_{\ell \in \mathcal{I}} \alpha_{\ell}},>
 * where  $\mathcal{I}$  is the set of idle servers.">
 * alpha(k) / sum(j, alpha(j)), where the sum is over the set
 * of idle servers. </tex>
 * @param server server index
 * @return probability of an idle server being choosen
 * among idle servers
 */
public double prob(int server) {
    if (beta[server] != 0)
        return beta[server];
    return (
        beta[server] = (((1 - getStatus(server)) * alpha[server]) / sum()));
}
/**
 * Returns a label with the format SxxQz, whre xx is the list of busy servers.
 * @see jmarkov.basic.State#label()
 */
@Override
public String label() {
    String stg = "S";
    for (int k = 0; k < K; k++) {
        stg += (getStatus(k) == 1) ? "" + (k + 1) : "";
    }
}

```



```

    return stg + "Q" + getQSize();
}

/*
 * This method gives a verbal description of the State.
 */
@Override
public String description() {
    String stg = "";
    if (!allIdle())
        stg += "Busy Servers:";
    else
        stg += "No one in service";
    for (int k = 0; k < K; k++) {
        stg += (getStatus(k) == 1) ? "" + (k + 1) + ", " : "";
    }
    stg += " There are " + getQSize() + " customers waiting in queue.";
    return stg;
}
}
/**
 *
 * This class define the events.
 * An event has two components: type which can have three values
 * depending whether it represents a directed arrival, a
 * non-directed arrival or a departure, and server, which
 * represents the choosen server (if arrival) or the finishing
 * server. For non-directed arrivals we set server -1 by convention.
 *
 * @author Germán Riaño
 *
 */
class QueueMMKdNEvent extends Event {
    final static int NDARRIVAL = 0;
    //Non directed arrival (when all servers are busy)
    final static int DIRARRIVAL = 1; //Directed arrival chooses among server(s)
    final static int DEPARTURE = 2;
    int type; // ARRIVAL or DEPARTURE
    /* server = chosen server if ARRIVAL finds many available,
     * server = -1 if no server available
     * server = finishing server if DEPARTURE event
     */
    int server;
    QueueMMKdNEvent(int type, int server) {
        this.type = type;
        this.server = server;
    }

    static EventsSet<QueueMMKdNEvent> getAllEvents(int K) {
        EventsSet<QueueMMKdNEvent> eSet = new EventsSet<QueueMMKdNEvent>();
        eSet.add(new QueueMMKdNEvent(NDARRIVAL, -1));
        for (int i = 0; i < K; i++) {
            eSet.add(new QueueMMKdNEvent(DIRARRIVAL, i));
        }
        for (int i = 0; i < K; i++) {
            eSet.add(new QueueMMKdNEvent(DEPARTURE, i));
        }
    }
}

```

```

    }
    return eSet;
}

/* (non-Javadoc)
 * @see java.lang.Object#toString()
 */
@Override
public String label() {
    String stg = "";
    switch (type) {
        case (NDARRIVAL) :
            stg += "Non-directed arrival";
            break;
        case (DIRARRIVAL) :
            stg += "Directed arrival to server " + (server + 1);
            break;
        case (DEPARTURE) :
            stg += "Departure from server " + (server + 1);
            break;
    }
    return stg;
}

} //end class
// Lets start defining the State

// Now we define the main class

/**
 * This class represents is a system with K different
 * exponential servers with rates mu1, mu2, etc,
 * respectively, and arrival rate lambda. A customer
 * that finds more then one server idle chooses according
 * to relative intensities
 * <tex txt="\alpha_1, \alpha_2, \ldots, \alpha_K">
 * alpha1, alpha2, etc</tex>. The probability of choosing
 * idle server k will be given by
 * <tex txt="\beta_k = \frac{\alpha_k}{\sum_{\ell \in \mathcal{I}} \alpha_{\ell}},>
 * where  $\mathcal{I}$  is the set of idle servers.">
 * alpha(k) / sum( alpha(j)), where the sum is over the set of idle servers.
 * </tex>
 * @author Germán Riaño. Universidad de los Andes.
 */

public class QueueMMKdN extends SimpleMarkovProcess<QueueMMKdNState, QueueMMKdNEvent> {
    // Eventos

    private double lambda;
    private double[] mu, alpha;
    private int K; // number of servers
    private int N;
    private static final int NDARRIVAL = QueueMMKdNEvent.NDARRIVAL;
    private static final int DIRARRIVAL = QueueMMKdNEvent.DIRARRIVAL;
    private static final int DEPARTURE = QueueMMKdNEvent.DEPARTURE;

    /**

```

```

* Constructs a M/M/Kd queue with arrival rate lambda and service
* rates mu, relative probabilities of choosing each server alpha
* @param lambda  Arrival rate
* @param mu      Server rates
* @param alpha   Relative probability of an arriving customer choosing each server.
* @param N      Max number in the system
*/
public QueueMMKdN(double lambda, double[] mu, double[] alpha, int N) {
    super(
        new QueueMMKdNState(mu.length, alpha),
        QueueMMKdNEvent.getAllEvents(mu.length));
    this.K = mu.length;
    this.lambda = lambda;
    this.mu = mu;
    this.alpha = alpha;
    this.N = N;
}

/**
 * Returns an QueueMMKdN object with arrival rate 1.0,
 * service rates of 2.0, 3.0 and 4.0;
 * and capacity of 8 customers in the system.
 * Used by GUI
 */
public QueueMMKdN() {
    this(1.0, new double[]{2,3,4}, new double[]{2,3,4}, 8);
}

/**
 * Determines the active events.
 */
@Override
public boolean active(QueueMMKdNState i, QueueMMKdNEvent e) {
    boolean result = false;
    switch (e.type) {
        case (NDARRIVAL) : // NDARRIVAL occurs only if servers are busy and there is room in
            result = (i.allBusy() && (i.getQSize() < N - K));
            break;
        case (DIRARRIVAL) :
            {
                result = (i.getStatus(e.server) == 0);
                //DirARRIVAL occurs if server is EMPTY.
            }
            break;
        case (DEPARTURE) :
            { // ev.type == DEPARTURE
                result = (i.getStatus(e.server) == 1);
                //DEPARTURE occurs if server is busy.
            }
    }
    return result;
}

/**
 * Determines the possible destination event (actually one in this case).
 */

```

```

@Override
public States<QueueMMKdNState> dests(QueueMMKdNState i, QueueMMKdNEvent e) {
    int[] status = new int[K];
    for (int k = 0; k < K; k++)
        status[k] = i.getStatus(k); //copy current values
    int Q = i.getQSize();
    switch (e.type) {
        case (NDARRIVAL) :
            Q++; // non-directed ARRIVAL
            break;
        case (DIRARRIVAL) :
            status[e.server] = 1; //directed ARRIVAL, picks a server.
            break;
        case (DEPARTURE) :
            if (Q > 0) { //there is Queue
                status[e.server] = 1; //set (keeps) server busy
                Q--; // reduce queue
            } else
                status[e.server] = 0; //set server idle
    }
    return new StatesSet<QueueMMKdNState>(new QueueMMKdNState(status, Q, alpha));
}

/*
 * The rate is lambda, or mu for non-directed arrival and for departure.
 * For directed arrival rate is lambda * prob(server is chosen)
 * @see jmarkov.SimpleMarkovProcess#rate(jmarkov.State, jmarkov.State, jmarkov.Event)
 */
@Override
public double rate(QueueMMKdNState i, QueueMMKdNState j, QueueMMKdNEvent e) {
    double result = 0;

    switch (e.type) {
        case (DEPARTURE) :
            result = mu[e.server];
            break;
        case (NDARRIVAL) :
            result = lambda;
            break; //non-directed arrival
        case (DIRARRIVAL) :
            result = i.prob(e.server) * lambda;
    }
    return result;
}

/**
 * Main Method. This asks the user for parameters
 * and tests the program.
 * @param a Not used
 */
public static void main(String[] a) {
    BufferedReader rdr =
        new BufferedReader(new InputStreamReader(System.in));
    try {
        System.out.println("Input Rate: ");
        double lda = Double.parseDouble(rdr.readLine());
        System.out.println("Num Servers: ");
    }
}

```

```

int K = Integer.parseInt(rdr.readLine());
double mu[] = new double[K];
double alpha[] = new double[K];
for (int k = 0; k < K; k++) {
    System.out.println("Service rate, server " + (k + 1) + " : ");
    mu[k] = Double.parseDouble(rdr.readLine());
}
for (int k = 0; k < K; k++) {
    System.out.println(
        "Choosing intensity, server " + (k + 1) + " : ");
    alpha[k] = Double.parseDouble(rdr.readLine());
}
System.out.println("Max in system : ");
int N = Integer.parseInt(rdr.readLine());
QueueMMKdN theModel = new QueueMMKdN(lambda, mu, alpha, N);
theModel.showGUI();
//theModel.setDebugLevel(2);
theModel.printAll();
} catch (IOException e) {
};
}

/**
 * @see jmarkov.SimpleMarkovProcess#description()
 */
@Override
public String description() {
    String stg = "M/M/k/N SYSTEM\n\n";
    stg += "Multiple server queue with " + this.K + " different servers\n";
    stg += "Arrival Rate = " + lambda + ", Max number in system " + N;
    return stg;
}
} //class end

```

4.3 Drive Thru

4.3.1 Code

File DriveThru.java

```

package examples.jmarkov;

import static examples.jmarkov.DriveThruEvent.Type.ARRIVAL;
import static examples.jmarkov.DriveThruEvent.Type.MIC_COMPLETION;
import static examples.jmarkov.DriveThruEvent.Type.SERVICE_COMPLETION;
import static examples.jmarkov.DriveThruState.CustStatus.BLOCKED_DONE;
import static examples.jmarkov.DriveThruState.CustStatus.COOKING;
import static examples.jmarkov.DriveThruState.CustStatus.EMPTY;
import static examples.jmarkov.DriveThruState.CustStatus.ORDERING;
import static examples.jmarkov.DriveThruState.CustStatus.WAIT_MIC;

import java.io.PrintWriter;

import jmarkov.MarkovProcess;
import jmarkov.SimpleMarkovProcess;

```

```

import jmarkov.basic.Event;
import jmarkov.basic.EventsSet;
import jmarkov.basic.State;
import jmarkov.basic.States;
import jmarkov.basic.StatesSet;
import jmarkov.basic.exceptions.NotUnichainException;
import examples.jmarkov.DriveThruState.CustStatus;

/**
 * Este programa describe un DriveThru.
 *
 * @author Margarita Arana y Gloria Díaz. Universidad de los Andes.
 * Mod: Germán Riaño (2004)
 * @version 1.0a
 */

/**
 * Este es un caso particular de PropertiesState. Llamamos N la posición del
 * micrófono. Las primeras N-1 posiciones representan el status de la primera
 * cola, la posición N el status del micrófono, N+1 cantidad en cola y N+2
 * servidores disponibles.
 */

class DriveThruState extends State {

    // private int micPos;
    // private CustStatus micStatus;
    private int numQ;
    private int avlServ;
    private CustStatus[] prop = null;

    /**
     * This enumeration shows the different status for a customer.
     */
    public enum CustStatus {
        /** Sitio vacío. */
        EMPTY,
        /** En servicio. */
        ORDERING,
        /** Estoy en el micrófono pero no hay servidores para que me atiendan. */
        WAIT_MIC,
        /** Me están haciendo la orden. */
        COOKING,
        /** Ya está listo el pedido pero estoy bloqueado. */
        BLOCKED_DONE;
    }

    /**
     * Builds a State representing an empty system
     *
     * @param micPos
     * @param serv
     */
    DriveThruState(int micPos, int serv) {
        this(new CustStatus[micPos], EMPTY, 0, serv);
        for (int i = 0; i < prop.length; i++) {

```

```

        prop[i] = EMPTY;
    }
}

/**
 * Construye un nuevo estado DriveThru.
 *
 * @param vec
 *         Estados desde la ventana hasta el micrófono (sin incluirlo).
 * @param mic
 *         Estado del micrófono.
 * @param numQ
 *         Cantidad de personas en la cola.
 * @param avSerrs
 *         Servidores disponibles
 */
DriveThruState(CustStatus[] statusVec, CustStatus micStatus, int numQ,
               int avSerrs) {
    prop = new CustStatus[statusVec.length + 1];
    int micPos = statusVec.length;
    System.arraycopy(statusVec, 0, prop, 0, micPos);
    prop[micPos] = micStatus;
    this.numQ = numQ;
    this.avlServ = avSerrs;
}

/**
 * Compute all the MOPs for this state
 */
@Override
public void computeMOPs(MarkovProcess mp) {
    int servEtapa1 = 0;
    int servEtapa2 = 0;
    int blockedDone = 0;
    int blockedBefore = 0;
    int total = 0;
    for (CustStatus s : prop) {
        servEtapa1 += (s == ORDERING) ? 1 : 0;
        servEtapa2 += (s == COOKING) ? 1 : 0;
        blockedDone += (s == BLOCKED_DONE) ? 1 : 0;
        blockedBefore += (s == WAIT_MIC) ? 1 : 0;
        total += (s != EMPTY) ? 1 : 0;
    }
    setMOP(mp, "Tamano Cola", getQLength());
    setMOP(mp, "Serv Ocupados Microfono ", servEtapa1);
    setMOP(mp, "Serv Ocupados Cocinando", servEtapa2);
    setMOP(mp, "Serv Ocupados ", servEtapa1 + servEtapa2);
    setMOP(mp, "Clientes Bloqueados antes de ordenar", blockedBefore);
    setMOP(mp, "Clientes Bloqueados con orden lista", blockedDone);
    setMOP(mp, "Clientes Bloqueados", blockedBefore + blockedDone);
    setMOP(mp, "Total clientes en Espera", blockedBefore + blockedDone
            + getQLength());
    setMOP(mp, "Total Clientes ", total + getQLength());
}

/**

```

```

    * Obtiene el número de personas en la cola
    *
    * @return Número de personas en la cola.
    */
    public int getQLength() {
        return numQ;
    }

    /**
     * Obtiene el estado de la posición i.
     *
     * @param i
     *         posicion
     *
     * @return Estado en la posición i.
     */
    public CustStatus getStatus(int i) {
        return prop[i];
    }

    /**
     * Obtiene el vector de estado de los clientes
     *
     * @return Estado en la posición 0 a numMic-1
     */
    public CustStatus[] getStatus() {
        int micPos = getMicPos();
        CustStatus[] status = new CustStatus[micPos];
        System.arraycopy(prop, 0, status, 0, micPos);
        return status;
    }

    /**
     * Obtiene el estado de la ventana.
     *
     * @return Estado del cliente en el micrófono
     */
    public CustStatus getMicStatus() {
        int n = prop.length - 1;
        return prop[n];
    }

    /**
     * Return the mic position.
     *
     * @return mic position index
     */
    public int getMicPos() {
        return prop.length - 1;
    }

    /**
     * Obtiene el estado de la ventana.
     *
     * @return Estado de la ventana.
     */
    public CustStatus getVentana() {

```



```

    return prop[0];
}

/**
 * Obtiene el número de servidores disponibles
 *
 * @return Estado de la ventana.
 */
public int getAvlServs() {
    return avlServ;
}

/**
 * @see jmarkov.basic.State#isConsistent()
 */
@Override
public boolean isConsistent() {
    // TODO Complete
    return true;
}

@Override
public String label() {
    String stg = "";
    for (CustStatus s : prop) {
        switch (s) {
            case EMPTY:
                stg += "0";
                break;
            case ORDERING:
                stg += "m";
                break;
            case WAIT_MIC:
                stg += "w";
                break;
            case COOKING:
                stg += "c";
                break;
            case BLOCKED_DONE:
                stg += "b";
                break;
        }
    }
    return stg + "Q" + numQ;
    // return stg + "Q" + prop[micPos + 1] + "S" + prop[micPos + 2];
}

String statusDesc(CustStatus stat) {
    switch (stat) {
        case EMPTY:
            return "empty";
        case ORDERING:
            return "ordering,";
        case WAIT_MIC:
            return "waiting";
        case COOKING:
            return "cooking";
    }
}

```

```

        default: // DONE
            return "blocked";
    }
}

/**
 * Describes the State
 *
 * @see jmarkov.basic.State#description()
 */
@Override
public String description() {
    String stg = "";
    int N = getMicPos();
    stg = "Queue CustStatus: (";
    for (int i = 0; i < N; i++) {
        stg += statusDesc(getStatus(i));
        stg += (i < N - 1) ? ", " : "";
    }
    stg += "). Mic status: " + statusDesc(getMicStatus());
    stg += ". Queue Size: " + getQLength();
    return stg;
}

/**
 * @see jmarkov.basic.State#compareTo(jmarkov.basic.State)
 */
@Override
public int compareTo(State j) {
    if (!(j instanceof DriveThruState))
        throw new IllegalArgumentException("Comparing wrong types!");
    DriveThruState u = (DriveThruState) j;
    int micPos = getMicPos();
    for (int k = 0; k <= micPos; k++) {
        if (getStatus(k).ordinal() > u.getStatus(k).ordinal())
            return +1;
        if (getStatus(k).ordinal() < u.getStatus(k).ordinal())
            return -1;
    }
    if (getQLength() > u.getQLength())
        return +1;
    if (getQLength() < u.getQLength())
        return -1;
    if (getAvlSrvs() > u.getAvlSrvs())
        return +1;
    if (getAvlSrvs() < u.getAvlSrvs())
        return -1;
    return 0;
}
}

/**
 * Esta clase implementa eventos en un Drive Thru. Extiende la clase
 * SimpleMarkovProcess.
 */
class DriveThruEvent extends jmarkov.basic.Event {

```

```

/** Event types. */
public static enum Type {
    /** Arrivale to the system. */
    ARRIVAL,
    /** Car at mic finishes service. */
    MIC_COMPLETION,
    /** Service completion for somebody who ordered. */
    SERVICE_COMPLETION;
}

private Type type; // event type
private int position; // Posicion del cliente que termina

/**
 * Creates an ARRIVAL or MIC_COMPLETION event.
 *
 * @param type
 */
public DriveThruEvent(Type type) {
    assert (type == ARRIVAL || type == MIC_COMPLETION);
    this.type = type;
}

/**
 * Creates a Service Completion event at he given position.
 *
 * @param position
 *         Position where the event occurs ( 0-based ).
 */
public DriveThruEvent(int position) {
    this.type = SERVICE_COMPLETION;
    this.position = position;
}

/**
 * @return position where this event occurs. (valid only if type ==
 *         SERVICE_COMPLETION).
 */
public int getPos() {
    assert (type == SERVICE_COMPLETION);
    return position;
}

/**
 * @return event type
 */
public Type getType() {
    return type;
}

/**
 * @param micPos
 * @return A set with all the events in the system.
 */
public static EventsSet<DriveThruEvent> getAllEvents(int micPos) {
    EventsSet<DriveThruEvent> eSet = new EventsSet<DriveThruEvent>();
    eSet.add(new DriveThruEvent(ARRIVAL));
}

```

```

        eSet.add(new DriveThruEvent(MIC_COMPLETION));
        for (int i = 0; i <= micPos; i++)
            eSet.add(new DriveThruEvent(i));
        return eSet;
    }

    @Override
    public String label() {
        String stg = "";
        switch (type) {
            case ARRIVAL:
                stg = "Arrival";
                break;
            case MIC_COMPLETION:
                stg = "MicEnd";
                break;
            default:
                stg = "SrvEnd(" + position + ")";
        }
        return stg;
    }
}

/**
 * Esta clase implementa un Drive Thru. Extiende la clase
 * SimpleMarkovProcess.
 */

public class DriveThru extends
    SimpleMarkovProcess<DriveThruState, DriveThruEvent> {

    double lambda; // Tasa de arribo
    double mu1; // Tasa de servicio – servidor 1
    double mu2; // Tasa de servidor 2
    int M; // Número máximo de entidades en el sistema
    int S; // Número de servidores
    int N; // Número de puestos entre la ventana y el micrófono

    /**
     * Constructor de un DriveThru.
     *
     * @param lambda
     *         Tasa de arribos
     * @param mu1
     *         Tasa de servicios del micrófono
     * @param mu2
     *         Tasa de servicios de la ventana
     * @param M
     *         Número máximo de entidades en el sistema
     * @param S
     *         Número de servidores
     * @param N
     *         Número de puestos entre la ventana y el micrófono
     */
    public DriveThru(double lambda, double mu1, double mu2, int M, int S, int N) {
        super((new DriveThruState(N, S)), DriveThruEvent.getAllEvents());
    }
}

```

```

    this.lambda = lambda;
    this.mul = mul;
    this.mu2 = mu2;
    this.M = M;
    this.S = S;
    this.N = N;
}

/**
 * Default constructor for GUI.
 */
public DriveThru() {
    this(80.0, 12.0, 30.0, 4, 2, 1);
}

/**
 * Determina cuando los eventos están activos para cada estado
 *
 * @see SimpleMarkovProcess#active(State, Event)
 */

@Override
public boolean active(DriveThruState s, DriveThruEvent ev) {
    boolean result = false;
    switch (ev.getType()) {
        case ARRIVAL:
            // un carro puede llegar si hay espacio en cola
            result = (s.getQLength() < M - N - 1);
            break;
        case MIC_COMPLETION:
            // se puede terminar de tomar la orden si una persona esta haciendo
            // el pedido
            result = (s.getMicStatus() == ORDERING);
            break;
        default:
            // se puede terminar una orden si la persona correspondiente la esta
            // esperando
            if (ev.getPos() == N) {
                result = (s.getMicStatus() == COOKING);
            } else {
                result = (s.getStatus(ev.getPos()) == COOKING);
            }
    }
    return result;
}

/**
 * La tasa es lambda si hay un arribo, la tasa es mul si se termina un
 * servicio tipo 1 y mu2 si se termina un servicio tipo 2.
 *
 * @see SimpleMarkovProcess#rate(State, int)
 */
@Override
public double rate(DriveThruState i, DriveThruState j, DriveThruEvent e) {
    switch (e.getType()) {
        case ARRIVAL:

```

```

        return lambda;
    case MIC_COMPLETION:
        return mul;
    default:
        return mu2;
    }
}

/*
 * Determina el estado destino cuando un evento ocurre.
 *
 * @see SimpleMarkovProcess#dests(S, E)
 */

@Override
public States<DriveThruState> dests(DriveThruState i, DriveThruEvent e) {
    int numServ = i.getAvlSrvs();
    CustStatus[] status = i.getStatus();
    CustStatus newMic = i.getMicStatus();
    int newQsize = i.getQLength();
    int numGone = 0;
    boolean micMoves = false;
    int k; // utility counter

    switch (e.getType()) {
    case ARRIVAL:
        if (i.getMicStatus() == EMPTY && numServ > 0) {
            // Hay espacio en el microfono y hay servidores
            newMic = ORDERING;
            numServ = numServ - 1;
        } else if (i.getMicStatus() == EMPTY && numServ == 0) {
            // Hay espacio en el microfono y no hay servidores
            newMic = WAIT_MIC;
        } else if (i.getQLength() < M - N - 1) {
            // Micrófono ocupado, espacio en cola.
            newQsize = i.getQLength() + 1;
        }
        break;

    case MIC_COMPLETION:
        newMic = COOKING;
        for (k = 0; ((k < N) && (status[k] != EMPTY)); k++)
            ;
        // k es la 1a posicion disponible
        if (k != N) { // Si hay sitio lo movemos
            status[k] = COOKING;
            newMic = EMPTY;
            micMoves = true;
        }
        break;

    default: // 2nd SERVICE_COMPLETION
        numServ = numServ + 1; // se libera un servidor
        int p = e.getPos();
        if (p > 0 && p < N) {
            // si esta listo el pedido de una persona en el medio o mic
            status[p] = BLOCKED_DONE;
        }
    }
}

```

```

} else if (p == N) { // Esta listo el mic
    newMic = BLOCKED_DONE;
} else { // (p==0). Esta listo el pedido de la persona en la
    // ventana
    status[0] = EMPTY;
    // tentativamente desocupamos al servidor
    int pos1, pos2;
    // encontramos el primer cliente no bloqueado:
    for (k = 1; ((k < N) && status[k] == BLOCKED_DONE); k++)
        ;
    numGone = k; // el numero que salen
    if (k != N) { // El primer NB NO es el mic
        pos1 = k;
        // El cliente en posicion pos1 va a quedar en la ventana
        pos2 = N - 1; // el de pos2 es el ultimo en la cola
        for (k = pos1; k <= pos2; k++) {
            status[k - numGone] = status[k];
            // los movemos todos
        }
    }
    for (k = N - numGone; k < N; k++) {
        status[k] = EMPTY; // el resto esta vacío
    }
    if (newMic == COOKING) {
        // movemos el del microfono al final de la cola:
        status[N - numGone] = newMic;
        newMic = EMPTY;
        micMoves = true;
    } else if (newMic == BLOCKED_DONE) {
        // El del microfone se va
        newMic = EMPTY;
        micMoves = true;
    }
}
break;
} // end switch

if (newMic == WAIT_MIC && numServ > 0) {
    newMic = ORDERING;
    numServ--;
}
if (micMoves) {
    if (i.getQLength() > 0 && numServ > 0) {
        newMic = ORDERING;
        numServ = numServ - 1;
        newQsize = i.getQLength() - 1;
    } else if (i.getQLength() > 0 && numServ == 0) {
        newMic = WAIT_MIC;
        newQsize = i.getQLength() - 1;
    }
}
StatesSet<DriveThruState> set = new StatesSet<DriveThruState>();
set.add(new DriveThruState(status, newMic, newQsize, numServ));
return set;
} // end dests

```

@Override

```

public String description() {
    return "SISTEMA DRIVE THRU. " + "\nTasa de Entrada = " + lambda
        + "\nTasa en el Mic = " + mu1 + "\nTasa de servicio 2 = "
        + mu2 + "\nPosición del mic = " + N + "\nServidores = "
        + S + "\nCap en el sistema = " + M;
}

/**
 * Print all waiting times associated with each MOP
 */
@Override
public int printMOPs(PrintWriter out, int width, int decimals) {
    int namesWidth = super.printMOPs(out, width, decimals);
    // this rate work for all MOPs
    double ldaEff;
    try {
        ldaEff = getEventRate(ARRIVAL.ordinal());
        String [] names = getMOPNames();
        double waitTime;
        int N = names.length;
        namesWidth += 20;
        for (int i = 0; i < N; i++) {
            waitTime = 60 * getMOPsAvg(names[i]) / ldaEff;
            String name = "Waiting time for " + names[i];
            out.println(pad(name, namesWidth, false)
                + pad(waitTime, width, decimals) + " minutes");
        }
    } catch (NotUnichainException e) {
        out.println(e);
    }
    return namesWidth;
}

/**
 * Main method.
 *
 * @param a
 *         Not used.
 */
public static void main(String [] a) {
    // as in handout:
    DriveThru theDT = new DriveThru(80.0, 12.0, 30.0, 4, 2, 1);
    // DriveThru theDT = new DriveThru(80.0, 120.0, 30.0, 4, 2, 2);
    theDT.setDebugLevel(5);

    theDT.showGUI();
    theDT.printAll();
    theDT.printMOPs();
}
} // class end

```

4.3.2 Results

Output for Drive Thru

SISTEMA DRIVE THRU.
Tasa de Entrada = 80.0
Tasa en el Mic = 120.0
Tasa de servicio 2 = 30.0
Posición del mic = 5
Servidores = 4
Cap en el sistema = 14

System has 498 States.

MEASURES OF PERFORMANCE

NAME	MEAN	SDEV
Tamaño Cola	4.503	2.693
Serv Ocupados Microfono	0.550	0.498
Serv Ocupados Cocinando	2.199	1.165
Serv Ocupados	2.749	1.088
Clientes Bloqueados antes de ordenar	0.112	0.316
Clientes Bloqueados con orden lista	1.540	1.646
Clientes Bloqueados	1.652	1.604
Total clientes en Espera	6.155	3.487
Total Clientes	8.903	3.396

EVENTS OCCURANCE RATES

NAME	MEAN RATE
Arrival	65.965
MicEnd	65.965
SrvEnd(0)	28.019
SrvEnd(1)	9.927
SrvEnd(2)	9.446
SrvEnd(3)	8.333
SrvEnd(4)	6.114
SrvEnd(5)	4.126

Tiempo de espera para Tamaño Cola: 4.096 minutos
Tiempo de espera para Serv Ocupados Microfono : 0.5 minutos
Tiempo de espera para Serv Ocupados Cocinando: 2 minutos
Tiempo de espera para Serv Ocupados : 2.5 minutos
Tiempo de espera para Clientes Bloqueados antes de ordenar: 0.102 minutos
Tiempo de espera para Clientes Bloqueados con orden lista: 1.4 minutos
Tiempo de espera para Clientes Bloqueados: 1.503 minutos
Tiempo de espera para Total clientes en Espera: 5.598 minutos
Tiempo de espera para Total Clientes : 8.098 minutos

5 Modeling Quasi-Birth and Death Processes

In this section we give a brief description of Quasi-Birth and Death Processes (QBD), and explain how they can be modeled using jMarkov. QBD are Markov Processes with an infinite space state, but with a very specific repetitive structure that makes them quite tractable.

5.1 Quasi-Birth and Death Processes

Consider a Markov process $\{X(t) : t \geq 0\}$ with a two dimensional state space $\mathcal{S} = \{(n, i) : n \geq 0, 0 \leq i \leq m\}$. The first coordinate n is called the *level* of the process and the second coordinate i is called the *phase*. We assume that the number of phases m is finite. In applications, the level usually represents the number of items in the system, whereas the phase might represent different stages of a service process.

We will assume that, in one step transition, this process can go only to the states in the same level or to adjacent levels. This characteristic is analogous to a Birth and Death Process, where the only allowed transitions are to the two adjacent states (see, e.g [4]). Transitions can be from state (n, i) to state (n', i') only if $n' = n$, $n' = n - 1$ or $n' = n + 1$, and, for $n \geq 1$ the transition rate is independent of the level n . Therefore, the generator matrix, \mathbf{Q} , has the following structure

$$\mathbf{Q} = \begin{bmatrix} \mathbf{B}_{00} & \mathbf{B}_{01} & & & \\ \mathbf{B}_{10} & \mathbf{A}_1 & \mathbf{A}_0 & & \\ & \mathbf{A}_2 & \mathbf{A}_1 & \mathbf{A}_0 & \\ & & \ddots & \ddots & \ddots \end{bmatrix},$$

where, as usual, the rows add up to 0. An infinite Markov Process with the conditions described above is called a Quasi-Birth and Death Process (QBD).

In general, the level zero might have a number of phases $m_0 \neq m$. We will call these first m_0 states the *boundary states*, and all other states will be called *typical states*. Note that matrix \mathbf{B}_{00} has size $m_0 \times m_0$, whereas \mathbf{B}_{01} and \mathbf{B}_{10} are matrices of sizes $(m_0 \times m)$ and $(m \times m_0)$, respectively. Assume that the QBD is an ergodic Markov Chain. As a result, there is a steady state distribution $\boldsymbol{\pi}$ that is the unique solution $\boldsymbol{\pi}$ to the system $\boldsymbol{\pi}\mathbf{Q} = \mathbf{0}$, $\boldsymbol{\pi}\mathbf{1} = 1$. Divide this $\boldsymbol{\pi}$ vector by levels, analogously to the way \mathbf{Q} was divided, as

$$\boldsymbol{\pi} = [\boldsymbol{\pi}_0, \boldsymbol{\pi}_1, \dots].$$

Then, it can be shown that a solution exist that satisfy

$$\boldsymbol{\pi}_{n+1} = \boldsymbol{\pi}_n \mathbf{R}, \quad n > 1,$$

where \mathbf{R} is a constant square matrix of order m [6]. This \mathbf{R} is the solution to the equation

$$\mathbf{A}_0 + \mathbf{R}\mathbf{A}_1 + \mathbf{R}^2\mathbf{A}_2 = \mathbf{0}.$$

There are various algorithms that can be used to compute the matrix \mathbf{R} . For example, you can start with any initial guess \mathbf{R}_0 and obtain a series of \mathbf{R}_k through iterations of the form

$$\mathbf{R}_{k+1} = -(\mathbf{A}_0 + \mathbf{R}_k^2\mathbf{A}_2)\mathbf{A}_1^{-1}.$$

This process is shown to converge (and \mathbf{A}_1 does have an inverse). More elaborated algorithms are presented in Latouche and Ramaswami [5]. Once \mathbf{R} has been determined then $\boldsymbol{\pi}_0$ and $\boldsymbol{\pi}_1$ are determined by solving the following linear system of equations

$$\begin{bmatrix} \boldsymbol{\pi}_0 & \boldsymbol{\pi}_1 \end{bmatrix} \begin{bmatrix} \mathbf{B}_{00} & \mathbf{B}_{01} \\ \mathbf{B}_{10} & \mathbf{A}_1 + \mathbf{R}\mathbf{A}_2 \end{bmatrix} = [\mathbf{0} \quad \mathbf{0}]$$

$$\boldsymbol{\pi}_0\mathbf{1} + \boldsymbol{\pi}_1(\mathbf{I} - \mathbf{R})^{-1}\mathbf{1} = 1.$$

5.2 Measures of performance for QBDs

We consider two types of measures of performance that can be defined in a QBD model. The first type can be seen as a reward r_i received whenever the system is in phase i , independent of the level, for level $n \geq 1$. The long-run value for such a measure of performance is computed according to

$$\sum_{n=1}^{\infty} \pi_n \mathbf{r} = \pi_1 (\mathbf{I} - \mathbf{R})^{-1} \mathbf{r},$$

where \mathbf{r} is an m -size column vector with components r_i . The second type of reward has the form nr_i , whenever the system is in phase i of level n . Its long-run value is

$$\sum_{n=1}^{\infty} n \pi_n \mathbf{r} = \pi_1 \mathbf{R} (\mathbf{I} - \mathbf{R})^{-2} \mathbf{r}.$$

5.3 Modeling QBD with jQBD

Modeling QBD with jMarkov is similar to modeling a Markov Processes. Again, the user has to code the states, the events, and then define the dynamics of the system through `active`, `dests`, and `rate`. The main difference is that special care needs to be taken when defining the destination states for the typical states. Rather than defining a new level for the destination state, the user should give a new *relative* level, which can be -1, 0, or +1. This is accomplished by using two different classes to define states. The current state of the system is a `GeomState`, but the destination states are `GeomRelState`. The process itself must extend the class `GeomProcess`, which in turn is an extension of `MarkovProcess`.

The building algorithm uses the information stored about the dynamics of the process to explore the graph and build only the first three levels of the system. From this, it is straightforward to extract matrices \mathbf{B}_{00} , \mathbf{B}_{01} , \mathbf{B}_{10} , \mathbf{A}_0 , \mathbf{A}_1 , and \mathbf{A}_2 . Once these matrices are obtained, the stability condition is checked. If the system is found to be stable, then the matrices \mathbf{A}_0 , \mathbf{A}_1 , and \mathbf{A}_2 are passed to the solver, which takes care of computing the matrix \mathbf{R} and the steady state probabilities vectors π_0 and π_1 , using the formulas described above. The implemented solver (`MtjLogRedSolver`) uses the logarithmic reduction algorithm [5]. This class uses MTJ for matrices manipulations. There are also mechanisms to define both types of measures of performance mentioned above, and jQBD can compute the long run average value for all of them.

5.4 An Example

To illustrate the modeling process with jQBD, we will show the previous steps with a simple example. Consider a infinite queue with a station that has a single hiper-exponential server with n service phases, with probability α_i to reach the service phase i and with service rate μ_i at phase i , where $0 \leq i \leq n$. The station is fed from an external source according to a Poisson processes with rate λ . We will use this model as an illustrative example of a QBD process, and will show how each of the previous steps is performed for this example. Of course all measures of performance for this system can be readily obtained in closed form since it is a particular case of an $M/G/1$, but we chose this example because of its simplicity. The code below actually models any general phase-type distribution, so the hyper-geometric will be a particular case.

- **States:** Because of the memoryless property, the state of the system is fully characterized by an integer valued vector $\mathbf{x} = (x_1, x_2)$, where $x_1 \geq 0$ represents the number of items in the system and $0 \leq x_2 \leq n$ represents the current phase of the service process. Note that, knowing this, we can know how many items are in service and how many are queuing. It is important

to highlight that the computational representation uses only the phase of the system (x_2) because the level (x_1) is managed internally by the framework.

- **Events:** An event occurs whenever an item arrives to the system or finishes processing at a particular service phase $0 \leq i \leq n$. Therefore, we will define the set of possible events as $\mathcal{E} = \{a, c_1, c_2, \dots, c_n\}$, where the event a represents an arrival to the system and an event c_i represents the completion of a service in phase i .
- **Markov Process:** We elected to implement `GeomProcess`, which implied coding the following three methods:
 - **active (i,e):** Since the queue is an infinite QBD process the event a is always active, and the events $c_i, 0 \leq i \leq n$ are active if there is an item at workstation on service phase i . The code to achieve this can be seen in Figure 6.
 - **dests (i,e,j):** When the event a occurs there is always an increment on the system level, but you need to consider if the server is idle or busy. When the server is idle the new customer could start in any of the n service phases, then the system could reach anyone of the first level n states with probability α_i . On the other hand, if the server is busy on service phase i , the system will reach the next level state with the same service phase i .
 On the other hand, when the server finishes one service c_i , no matter which phase type, the level of the system is reduced by one, but you need to consider if the system is in level 1 or if it is in level 2 or above. When the level is 1, the system reaches the unique state (0,0) where there are no customers in the system and the server is idle. On the other hand, if the system level is equal or greater than 2, the system could reach any of the n states in the level below with probability α_i . The Java code can be seen in Figure 7.
 - **rate (i,e):** The rate of occurrence of event a is given simply by λ and the rate of occurrence of an event c_i is given by μ_i . In Figure 8 you can see the corresponding code.
- **MOPs:** Using the MOPS types defined in jQBD component, we will illustrate its use calculating the expected WIP on the system.

File HiperExQueue.java

```

switch (e.type) {
case ARRIVAL:
    result = true;
    break;
case FINISH_SERVICE:
    result = (i.getSrvPhase() == e.getCurPH());
    break;
}
return result;
}

/*
 * (non-Javadoc)

```

Figure 6: Active method of class HiperExQueue.java

File HiperExQueue.java

```
= new StatesSet<GeomRelState<HiperExQueueState>>();

int newPhase = i.getSrvPhase();
int rLevel = 0;

switch (e.type) {
case ARRIVAL:
    rLevel = +1;
    if (absLevel == 0)
        addDestsFinishServer(rLevel, destStates);
    else
        destStates.add(new GeomRelState<HiperExQueueState>(
            new HiperExQueueState(newPhase), rLevel));
    break;
case FINISH_SERVICE:
    rLevel = -1;
    if (absLevel == 1)
        destStates.add(new GeomRelState<HiperExQueueState>(
            new HiperExQueueState(0)));
    else
        addDestsFinishServer(rLevel, destStates);
    break;
}
return destStates.getStateArray();
} // end of dest

/**
 * This method calculates the rate of transition from i to j when
 * occurs the event e.

```

Figure 7: `dests` method of class `HiperExQueue.java`

Finally, the output obtained after running the model can be seen in the Graphical User Interface (GUI) in Figure 9. There is no need to use the GUI, but it is helpful to do so during the first stages of development, to make sure that all transitions are being generated as expected. All the measures of performance defined can be extracted by convenience methods defined in the API or a report printed to standard output. Such a report can be seen in Figure 10.

6 Advanced Features

6.1 Using the Solvers

6.2 Using the Transitions scheme

6.3 Computing MOPs on the fly to save memory

6.4 extending jMarkov

7 Further Development

This project is currently under development, and therefore we appreciate all the feedback we can receive.

File HiperExQueue.java

```
    case ARRIVAL:
        if (iLevel == 0){
            int newPhase = j.getSrvPhase();
            double alpha[] = servDist.getVectorArray();
            rate = lambda * alpha[newPhase - 1];
        }
        else{
            rate = lambda;
        }

        break;
    case FINISH_SERVICE:
        if (iLevel > 1){
            int newPhase = j.getSrvPhase();
            double alpha[] = servDist.getVectorArray();
            rate = a[e.getCurPH() - 1] * alpha[newPhase - 1];
        }
        else{
            rate = a[e.getCurPH() - 1];
        }
        break;
    }
    return rate;
} // end of rate
/*
 * (non-Javadoc)
 * @see jmarkov.SimpleMarkovProcess#description()
 */
@Override
public String description() {
```

Figure 8: `rate` method of class `HiperExQueue.java`

References

- [1] G. Ciardo. Tools for formulating Markov models. In W. K. Grassman, editor, *Computational Probability*. Kluwer's International Series in Operations Research and Management Science, Massachusetts, USA, 2000.
- [2] B. Heimsund. Matrix Toolkits for Java (MTJ), December 2005. Last modified: Monday, 05-Dec-2005 09:03:23 CET.
- [3] J. Hicklin, C. Moler, P. Webb, R. F. Boisvert, B. Miller, R. Pozo, and K. Remington. JAMA: A java matrix package, July 2005. MathWorks and the National Institute of Standards and Technology (NIST).
- [4] V. Kulkarni. *Modeling and analysis of stochastic systems*. Chapman & Hall., 1995.
- [5] G. Latouche and V. Ramaswami. *Introduction to matrix analytic methods in stochastic modeling*. Society for Industrial and Applied Mathematics (SIAM), Philadelphia, PA, 1999.
- [6] M. F. Neuts. *Matrix-geometric solutions in stochastic models*. The John Hopkins University Press, 1981.

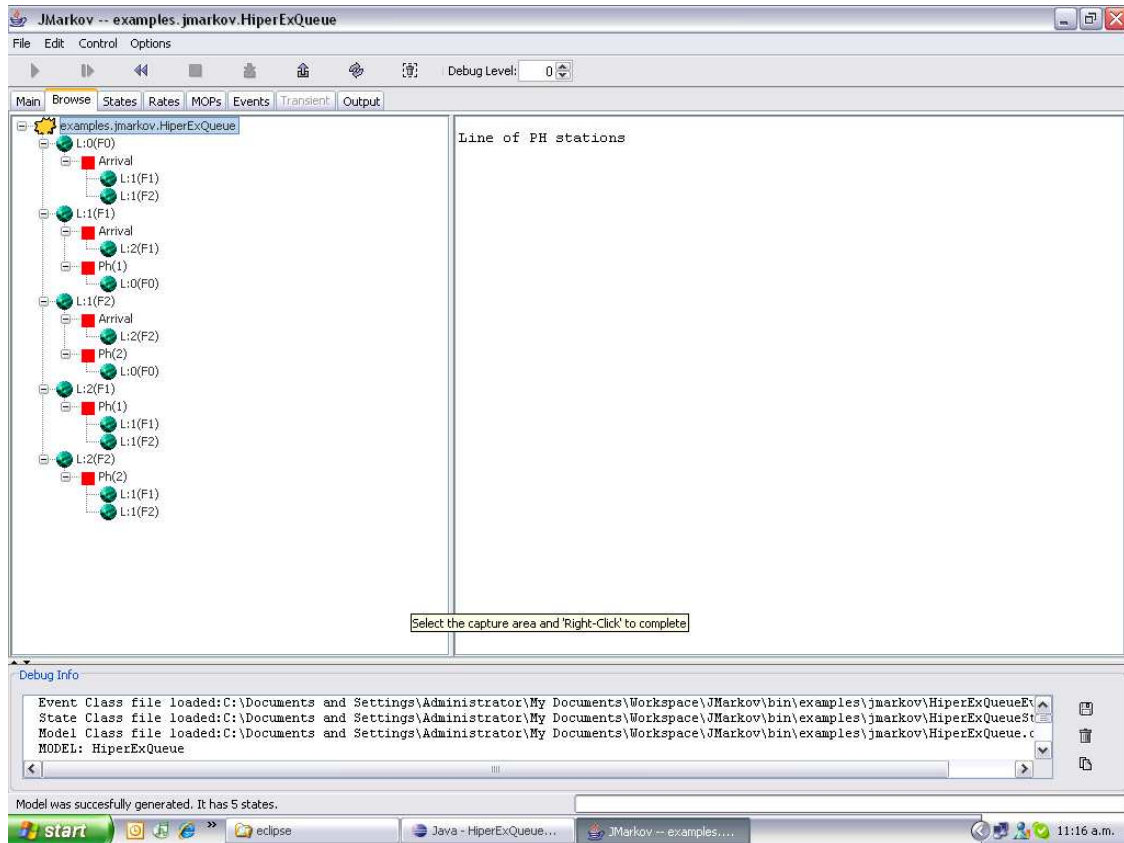


Figure 9: GUI example of jMarkov

- [7] J. F. Pérez and G. Riaño. *jPhase: an object-oriented tool for modeling Phase-Type distributions*. In *SMCtools '06: Proceedings from the 2006 Workshop on Tools for Solving Structured Markov Chains*, New York, 2006. ACM Press.
- [8] J. F. Pérez and G. Riaño. *jPhase User's Guide*. Universidad de los Andes, 2006.
- [9] G. Riaño and J. Góez. *jMarkov User's Guide*. Industrial Engineering, Universidad de los Andes, 2005.
- [10] G. Riaño and A. Sarmiento. *jMDP: an object-oriented framework for modeling MDPs*. Working paper. Universidad de los Andes, 2006.
- [11] A. Sarmiento and G. Riaño. *jMDP User's Guide*. Industrial Engineering, Universidad de los Andes, 2005.

File DriveThru.java

MEASURES OF PERFORMANCE		
NAME	MEAN	SDEV
Expected Level	0.14286	?
Server Utilization	0.12500	0.33072

Figure 10: MOPs report of jMarkov

[12] Sun Microsystems. Java technology, Jan. 2006.

[13] P. van der Linden. *Just Java(TM) 2*. Prentice Hall, 6th edition, 2004.

Index

active, 3
dests, 3
rate, 3

CTMC, 2

DTMC, 2

Generator Matrix, 2

Markov Decision Processes, 2

MDP, 2

Object Oriented Programming, 4

OOP, 4

PH, 2

Phase-Type Distributions, 2

QBD, 2

Quasi-Birth and Death Processes, 2